



Mercedes-Maybach G 650 Landaulet

Product Management SUV

Mercedes-Benz
The best or nothing.



Majestic, Wild and Free.

- ✓ 3rd special model of the G-Class is based on the G 65 and will be equipped with portal axles
- ✓ Only **99 units** will be built
- ✓ Will be sold in Europe, Russia and Middle East only
- ✓ SOP in 07/2017, Start of delivery in 10/2017, EOP in 03/2018
- ✓ 4 exterior colours, 4 interior colours and 3 soft top colours



Highlight features of the Mercedes-Maybach G 650 Landaulet.

- ✓ Maybach nomenclature: Mercedes-Maybach G 650 Landaulet
- ✓ Chauffeur vehicle based on the G 65 with MY17
- ✓ Extended wheelbase: 3.428mm (based on the XXL-G-Class)
- ✓ 2 portal axles taken from the G 500 4x4²
- ✓ 4-seater with two single seats in the rear adopted from the Mercedes-Maybach S-Class
- ✓ Only LHD version
- ✓ High-end luxurious interior with designo manufaktur content (fully equipped)

The exterior colour choices with a tonal beige soft top.



designo sea blue metallic



monza grey magno



designo mocha black metallic



designo mystic white 2 metallic

The exterior colour choices with a chocolate (dark brown) soft top.



designo sea blue metallic



monza grey magno



designo mocha black metallic



designo mystic white 2 metallic

The exterior colour choices with a black soft top.



designo sea blue metallic

monza grey magno



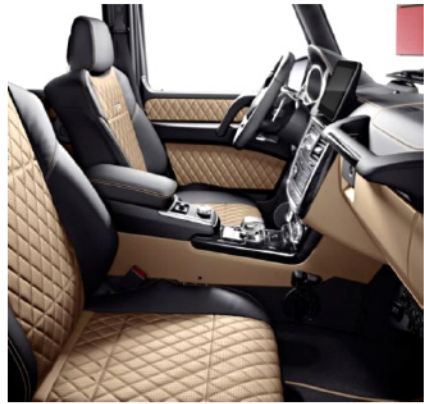
designo mocha black metallic

designo mystic white 2 metallic



The interior offers a high-end luxury rear compartment with 1st class seating option known from the Maybach S-Class.

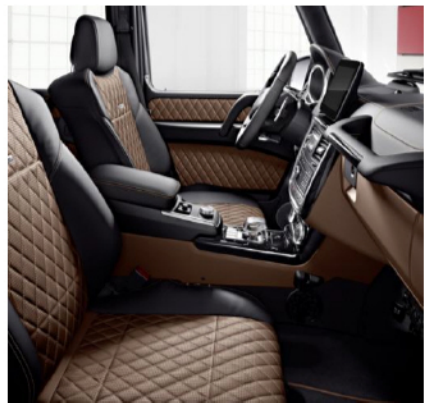
The interior will offer the customer a luxurious experience with the highest level of comfort. In the rear compartment two single seats, covered in finest semi-aniline leather, will welcome customers to take an open-air ride while enjoying the luxury and prestige of the special model. A special partition wall can be lowered or tinted in order to guarantee a maximum of privacy.



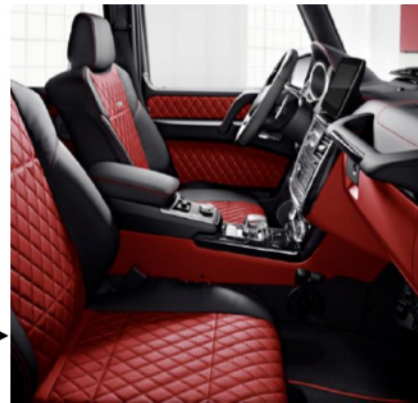
designo sand – sand stitching



designo porcelain – porcelain stitching



designo saddle brown – saddle brown stitching



designo classic red – classic red stitching

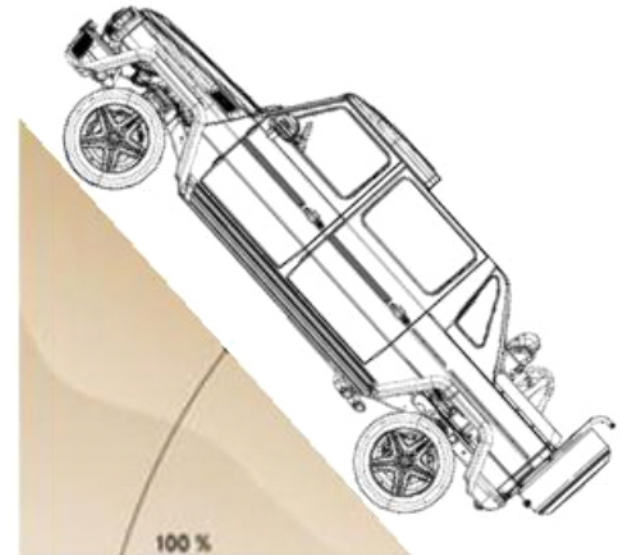
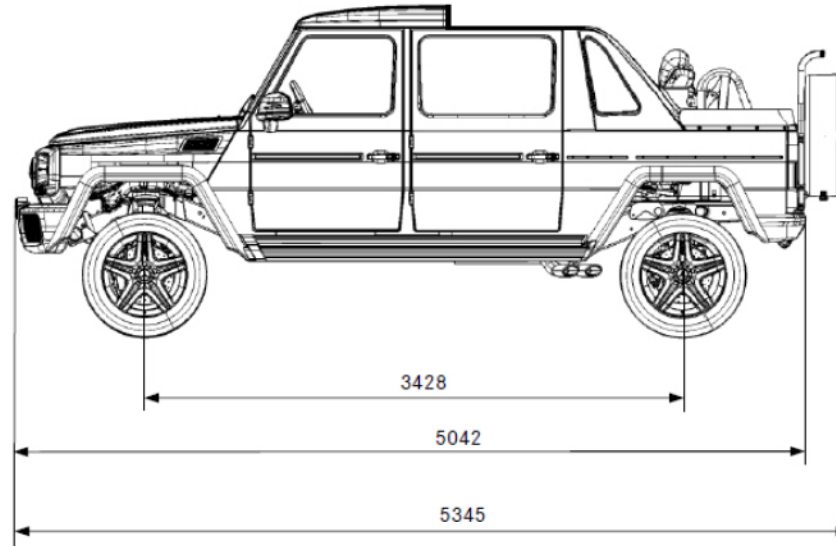
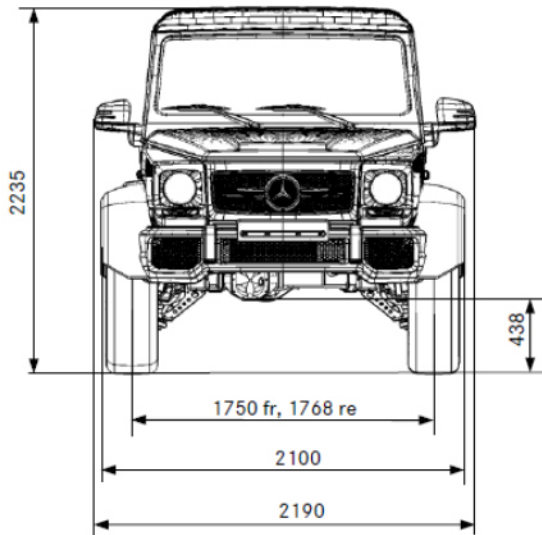
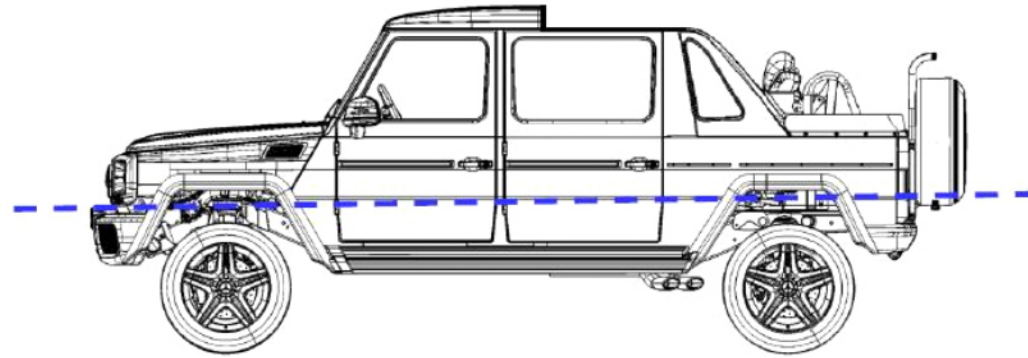


The Mercedes-Maybach G 650 Landaulet has truly outstanding technical data to provide customers with top-of-the-line performance.

- ✓ L x W x H [mm]: 5.345 x 2.190 x 2.235 with a wheelbase of 3.428mm
- ✓ Ground clearance 438 mm
- ✓ Fording depth: 850 mm
- ✓ Gross vehicle weight of 3.700 kg
- ✓ Slope climbing ability 100%
- ✓ Tilt angle 36°, Ramp break over angle 44,6°, Departure angle f/r 49,8°/39,1°
- ✓ V12 Engine (M279): 630 HP, 1000 Nm
- ✓ Top speed: 180 km/h



The Mercedes-Maybach G 650 Landaulet has truly outstanding technical data to provide customers with top-of-the-line performance.



Deadlines for Requirements & Ordering Process.

- ✓ Specific logistics and transportation costs apply (to be inquired individually with PBG/S Order Management)
- ✓ Press Announcement Day (PAD) 13.02.2017
- ✓ Feedback of quota request by customer name and priority by 26.02.2017
- ✓ Based on market feedback PBG allocates quota by individual customer name and provides production month 03.03.2017
- ✓ Executive consulting for the designated buyers through the Center of Excellence (CoE) staff during Geneva Motor Show 07.03-19.03.2017
- ✓ Start of delivery 10/2017
- ✓ End of production 3/2018
- ✓ Order confirmation deadline 01.04.2017
 - ✓ Finalized vehicle execution (exterior & interior)
 - ✓ Vehicle modifications cannot be accepted after April,1st
 - ✓ Production quota sourced from existing market allocation

Thank you!

